

Network Video Recorder

NVR302-E-B Series



Key Features

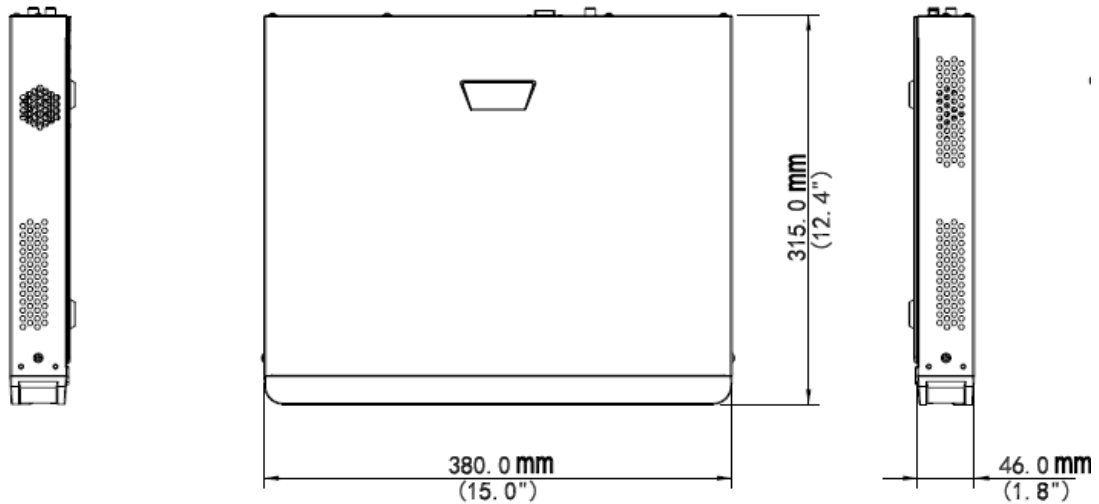
- Support Ultra 265/H.265/H.264 video formats
- 9/16-channel input
- Third-party IP cameras supported with ONVIF conformance: Profile S, Profile G, Profile C, Profile Q, Profile A, Profile T
- Support 1-ch HDMI, 1-ch VGA, HDMI at up to 4K(3840x2160) resolution
- HDMI and VGA simultaneous output
- Up to 12 Megapixels resolution recording
- 2 SATA HDDs, Up to 8TB for each disk
- Various fisheye dewarping modes for live view and playback for both web interface and GUI
- ANR technology to enhance the storage reliability when the network is disconnected
- Support cloud upgrade

Specifications

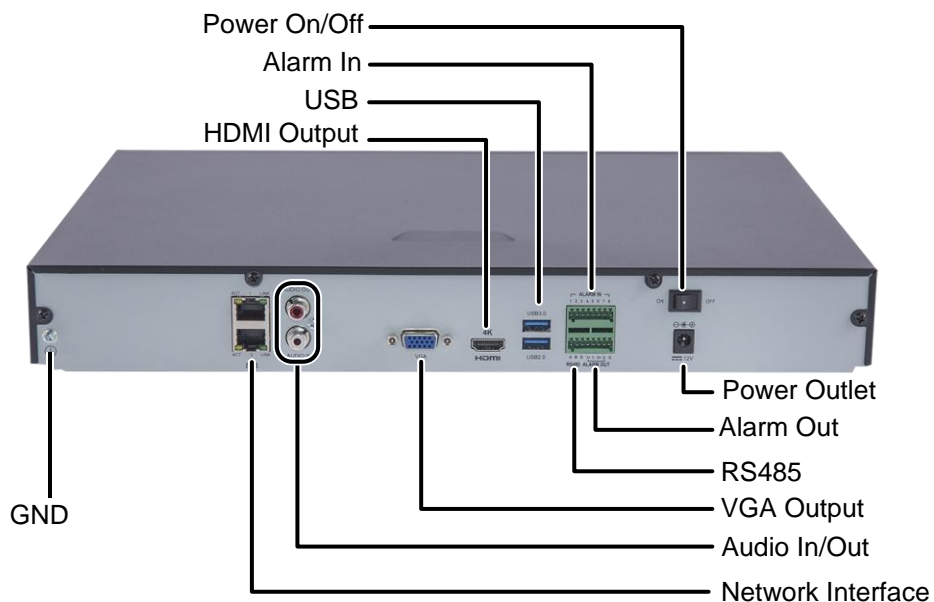
| Model | NVR302-09E-B | NVR302-16E-B |
|---------------------------|--|--------------------|
| Video/Audio Input | | |
| IP Video Input | 9-ch | 16-ch |
| Two-way Audio Input | 1-ch, RCA | |
| Network | | |
| Incoming Bandwidth | 90Mbps | 160Mbps |
| Outgoing Bandwidth | 180Mbps | 320Mbps |
| Remote Users | 128 | |
| Protocols | P2P, UPnP, NTP, DHCP, PPPoE | |
| Video/Audio Output | | |
| HDMI/VGA Output | HDMI: 4K (3840x2160) /60Hz, 4K (3840x2160) /30Hz, 1920x1080p /60Hz, 1920x1080p /50Hz, 1600x1200 /60Hz, 1280x1024 /60Hz, 1280x720 /60Hz, 1024x768 /60Hz VGA: 1920x1080p /60Hz, 1920x1080p /50Hz, 1280x1024 /60Hz, 1280x720 /60Hz, 1024x768 /60Hz | |
| Recording Resolution | 12MP/8MP/6MP/5MP/4MP/3MP/1080p/960p/720p/D1/2CIF/CIF | |
| Audio Output | 1-ch, RCA | |
| Synchronous Playback | 9-ch | 16-ch |
| Corridor Mode Screen | 3/4/5/7/9 | 3/4/5/7/9/10/12/16 |
| Decoding | | |
| Decoding format | Ultra 265, H.265, H.264 | |
| Live View/ Playback | 12MP/8MP/6MP/5MP/4MP/3MP/1080p/960p/720p/D1/2CIF/CIF | |
| Capability | 3 x 12MP@25, 4 x 4K@30, 9 x 4MP@25, 16 x 1080p@30 | |
| Hard Disk | | |
| SATA | 2 SATA interfaces | |
| Capacity | up to 8TB for each disk | |
| Smart | | |
| VCA Detection | Face detection, Intrusion detection, Cross line detection, Audio detection, Defocus detection, Scene change detection, Auto tracking | |
| VCA Search | Face search, Behavior search | |
| Statistical Analysis | People counting | |
| External Interface | | |
| Network Interface | 2 RJ45 10M/100M/1000M self-adaptive Ethernet Interfaces | |
| Serial Interface | 1 x RS485 | |
| USB Interface | Front panel: 1 x USB2.0 Rear panel: 1 x USB2.0, 1 x USB3.0 | |
| Alarm In | 8-ch | |
| Alarm Out | 2-ch | |
| General | | |
| Power Supply | 12V DC Power Consumption: ≤ 20 W(without HDD) | |
| Working Environment | -10°C ~ + 55°C (+14°F ~ +131°F), Humidity ≤ 90% RH(non-condensing) | |
| Dimensions(W×D×H) | 380mm × 315mm ×46mm (15.0"× 12.4" ×1.8") | |

Weight (without HDD) ≤ 2.48 Kg (5.47 lb)

Dimensions



Rear Panel



Zhejiang Uniview Technologies Co., Ltd.

Building No.10, Wanlun Science Park, Jiangling Road 88, Binjiang District, Hangzhou, Zhejiang, China

Email: overseasbusiness@uniview.com; globalsupport@uniview.com

<http://www.uniview.com>

©2017 Zhejiang Uniview Technologies Co.,Ltd. All rights reserved.

*Product specifications and availability are subject to change without notice.