

4-inch Fixed Dome Electric-box Transfer Plate

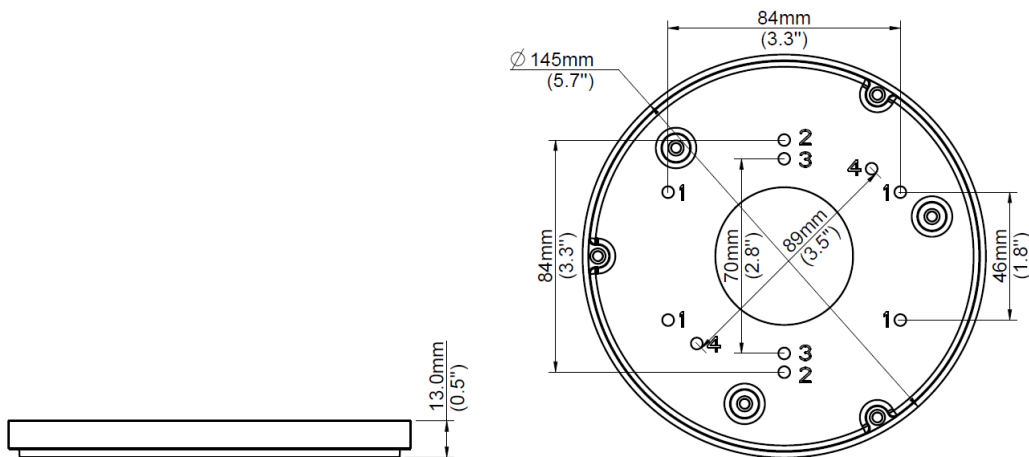
TR-SM04-IN



Specifications

Bracket	TR-SM04-IN
Application	Indoor, Electric-box Transfer plate for IPC323 Series Fixed Dome
Dimensions(L × W × H)	Φ145mmx13mm (5.7" x0.5")
Weight	0.13kg(0.29lb)
Material	Aluminum alloy

Dimensions



Zhejiang Uniview Technologies Co.,Ltd.

South Tower, Building 10, Wanlun Science Park, 88 Jiangling Road, Hangzhou, P.R.China 310051

Email: overseasbusiness@uniview.com; globalsupport@uniview.com

<http://www.uniview.com>

©2015 Zhejiang Uniview Technologies Co.,Ltd. All rights reserved.

*Product specifications and availability are subject to change without notice.