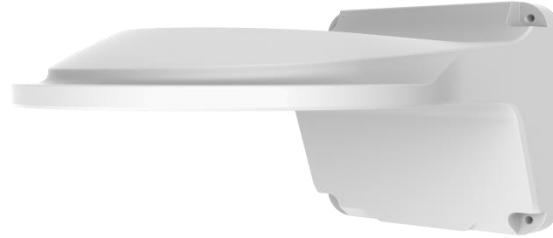


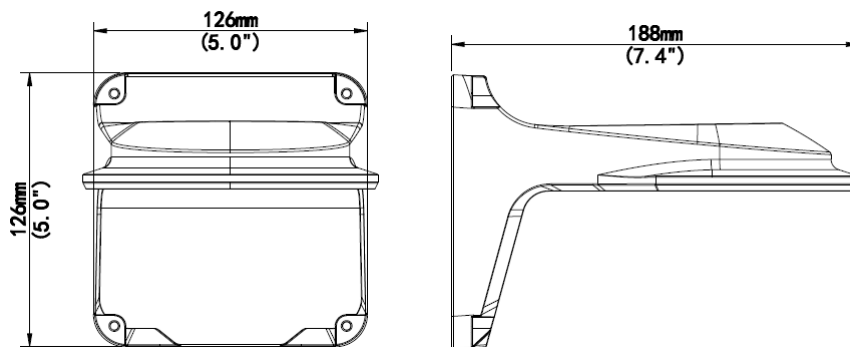
TR-WM03-A-IN 3-inch Fixed Dome Mount



Specifications

Bracket	TR-WM03-A-IN
Application	Wall installation for 3-inch fixed dome
Dimensions	188mmx126mmx126mm (7.4" x5" x5")
Weight	0.44kg(0.97lb)
Material	Aluminum alloy

Dimensions



Zhejiang Uniview Technologies Co.,Ltd.

South Tower, Building 10, Wanlun Science Park, 88 Jiangling Road, Hangzhou, P.R.China 310051

Email: overseasbusiness@uniview.com; globalsupport@uniview.com

<http://www.uniview.com>

©2017 Zhejiang Uniview Technologies Co.,Ltd. All rights reserved.

*Product specifications and availability are subject to change without notice.