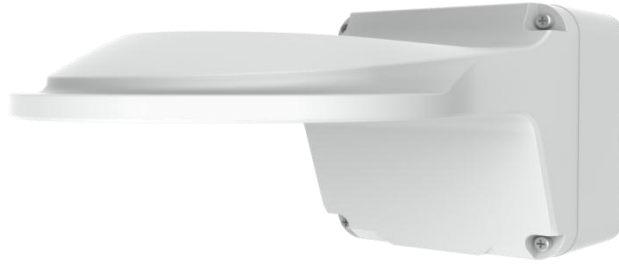


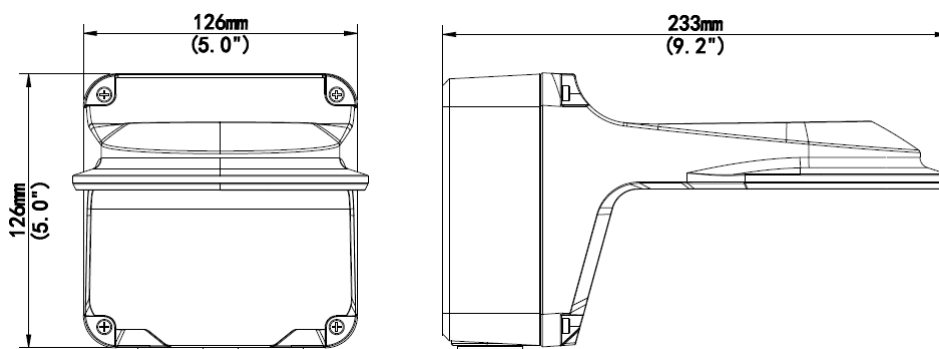
# TR-JB07/WM03-IN 3-inch Fixed Dome Outdoor Wall Mount



## Specifications

|             |  |
|-------------|--|
| Bracket     | TR-JB07/WM03-IN                                  |
| Application | Outdoor, wall installation for 3-inch fixed dome |
| Dimensions  | 233mmx126mmx126mm (9.2" x5" x5")                 |
| Weight      | 0.92kg(2.0lb)                                    |
| Material    | Aluminum alloy                                   |

## Dimensions



### Zhejiang Uniview Technologies Co.,Ltd.

South Tower, Building 10, Wanlun Science Park, 88 Jiangling Road, Hangzhou, P.R.China 310051

Email: [overseasbusiness@uniview.com](mailto:overseasbusiness@uniview.com); [globalsupport@uniview.com](mailto:globalsupport@uniview.com)

<http://www.uniview.com>

©2015 Zhejiang Uniview Technologies Co.,Ltd. All rights reserved.

\*Product specifications and availability are subject to change without notice.