

# 3-inch Fixed Dome Junction Box

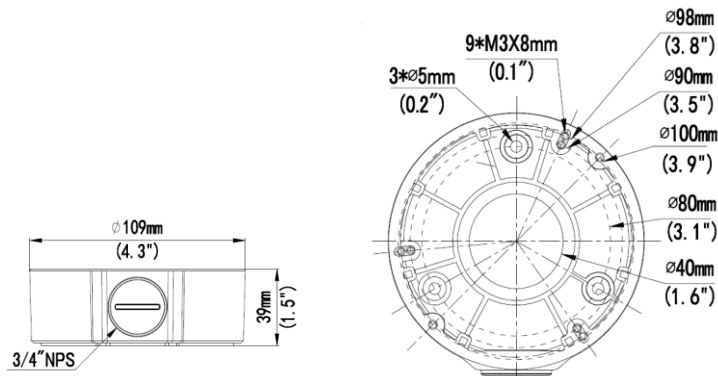
TR-JB03-D-IN



## Specifications

Bracket	TR-JB03-D-IN
Application	Junction box for IPC32X Series fixed dome and mini dome camera
Dimensions	Φ109mmx39mm (4.3" x1.5")
Weight	0.2kg(0.44lb)
Material	Aluminum alloy

## Dimensions



**Zhejiang Uniview Technologies Co.,Ltd.**

South Tower, Building 10, Wanlun Science Park, 88 Jiangling Road, Hangzhou, P.R.China 310051

Email: [overseasbusiness@uniview.com](mailto:overseasbusiness@uniview.com); [globalsupport@uniview.com](mailto:globalsupport@uniview.com)

<http://www.uniview.com>

©2015 Zhejiang Uniview Technologies Co.,Ltd. All rights reserved.

\*Product specifications and availability are subject to change without notice.